

MANITOU

M 30

- Lift Capacity: 6,000 lb.
- Lift Heights to 22 ft. 3 in.
- Perkins or Caterpillar 80 HP Engine
- Hydrostatic or Torque Converter
- 2 or 4 Wheel Drive
- Frame Leveling Option
- Three Optional Cab Heights



 **MANITOU**®

M 30



Lift Capacity

Maximum (24 in. load center)6,000 lb.



Lift Height:

Maximum lift height267 in.



Tires:

Standard Drive (Front) 81"/100" . . .17.5L24 x 12
 Standard Drive (Front) 77"15 x 19.5
 Standard Steer (Rear)12 x 16.5



Forks:

Length48 in.
 Width5 in.
 Thickness1.75 in.



Brakes:

Service . . .Fully enclosed, oil-immersed disc type
 Parking brakeMechanical



Engine Options:

ModelCaterpillar or Perkins
 TypeDiesel
 Displacement236 cu. in.
 Power80 HP
 Rated Speed2200 RPM



Transmission Options:

TypeHydrostatic or Torque Convertor
 Max. travel speed16 mph



Hydraulics:

PumpGear type
 Flow25 gpm



Capacities:

Cooling system5 gal.
 Engine oil2.75 gal.
 Fuel tank26 gal.
 Hydraulic fluid26 gal.



Specifications:

Nominal weight14,800 lb.
 Turning radius (center of wheels)117 in.
 Overall length (without forks)149 in.

Mast Selections & Capacities

(Based on 24 in. Load Center)

MFH Capacity				MFH Capacity		
179"				267"		
159"				180"		
143"	6,000 lb.	6,000 lb.	5,500 lb.	4,500 lb.	3,475 lb.	
	Model 4701	Model 4702	Model 4703	Model 5302	Model 5304	
OHL	105"	113"	123"	OHL	95"	124"
MFH	143"	159"	179"	MFH	180"	267"
FFH	0"	0"	0"	FFH	0"	0"

2-Stage "Total Visibility" Roller Mast (with no attachments)

3-Stage "Total Visibility" Roller Mast (with no attachments)

3-Stage "Hi-Viz" Roller Mast				3-Stage Low-Profile "Total Visibility" Roller Mast		
264"				148"		
249"				130"		
179"	5,500 lb.	4,000 lb.	3,475 lb.	3,600 lb.	3,600 lb.	
	Model 4507	Model 4521	Model 4524	Model 4802	Model 4804	
OHL	90.5"	119"	124.5"	OHL	75"	81"
MFH	179"	249"	264"	MFH	130"	148"
FFH	55"	83"	89"	FFH	0"	0"

3-Stage "Hi-Viz" Roller Mast (with no attachments)

3-Stage Low-Profile "Total Visibility" Roller Mast with Rotating Carriage

STANDARD EQUIPMENT:

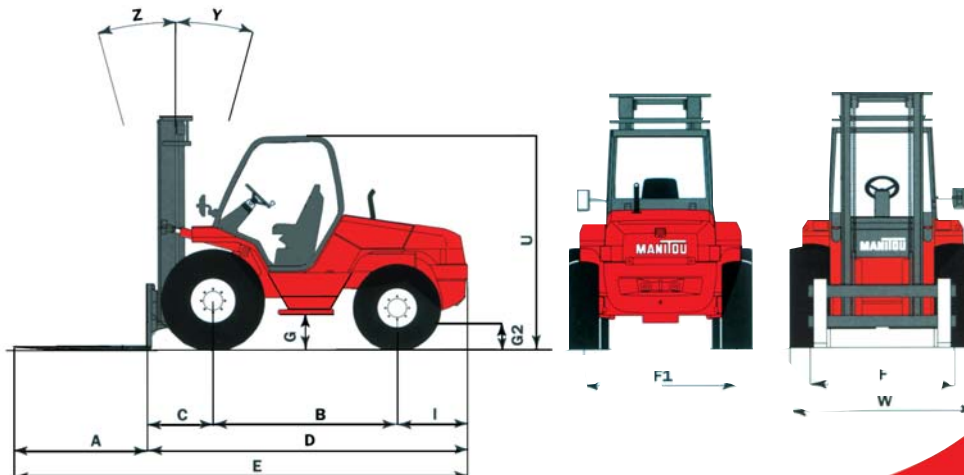
- 80 HP 4 Cyl. Diesel Engine
- Heavy Duty Steer Axle
- Side Shift Mast
- Hydraulic Load Accumulator
- 4 Spool Hyd. Valve Assembly
- Full Instrumentation
- Rubber Mounted Tilting Operator's Compartment
- Fenders
- Front and Rear Lights
- Backup Alarm
- Tow Pin

OPTIONAL EQUIPMENT:

- 77"/ 81"/ 100" Cab Heights
- Open, Semi or Fully Enclosed Cab
- 2 or 4 Wheel Drive
- Perkins or Caterpillar Engine
- Frame Leveling
- Differential Lock

DIMENSIONS:

	100"	81"	77"
A	48	48	48
B	85	85	85
C	34	34	34
D	145	145	145
E	196	196	196
F	70.5	70.5	66.5
F1	71.5	71.5	68.5
G	13	13	12
G ²	9.5	9.5	9.5
I	29	29	29
U	100	81	77
W	87.5	87.5	82
Y	10°	10°	10°
Z	45°	45°	45°



This publication in no way constitutes an offer and the company reserves the right to alter specification without prior notice. The MANITOU models presented in this brochure can be supplied complete with optional equipment attachments.